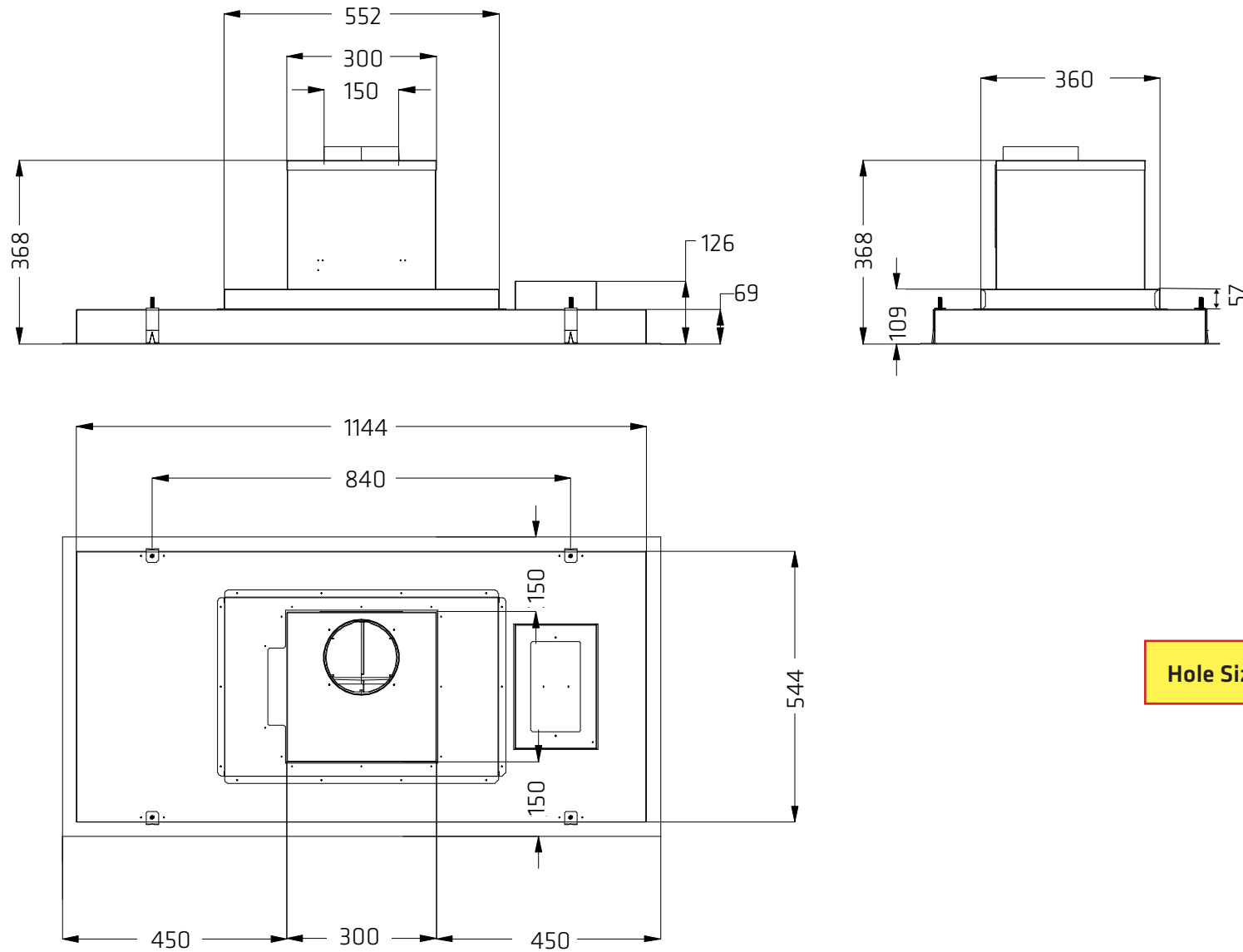


# Passat



Internal motor



Hole Size: D565 x W1165 mm