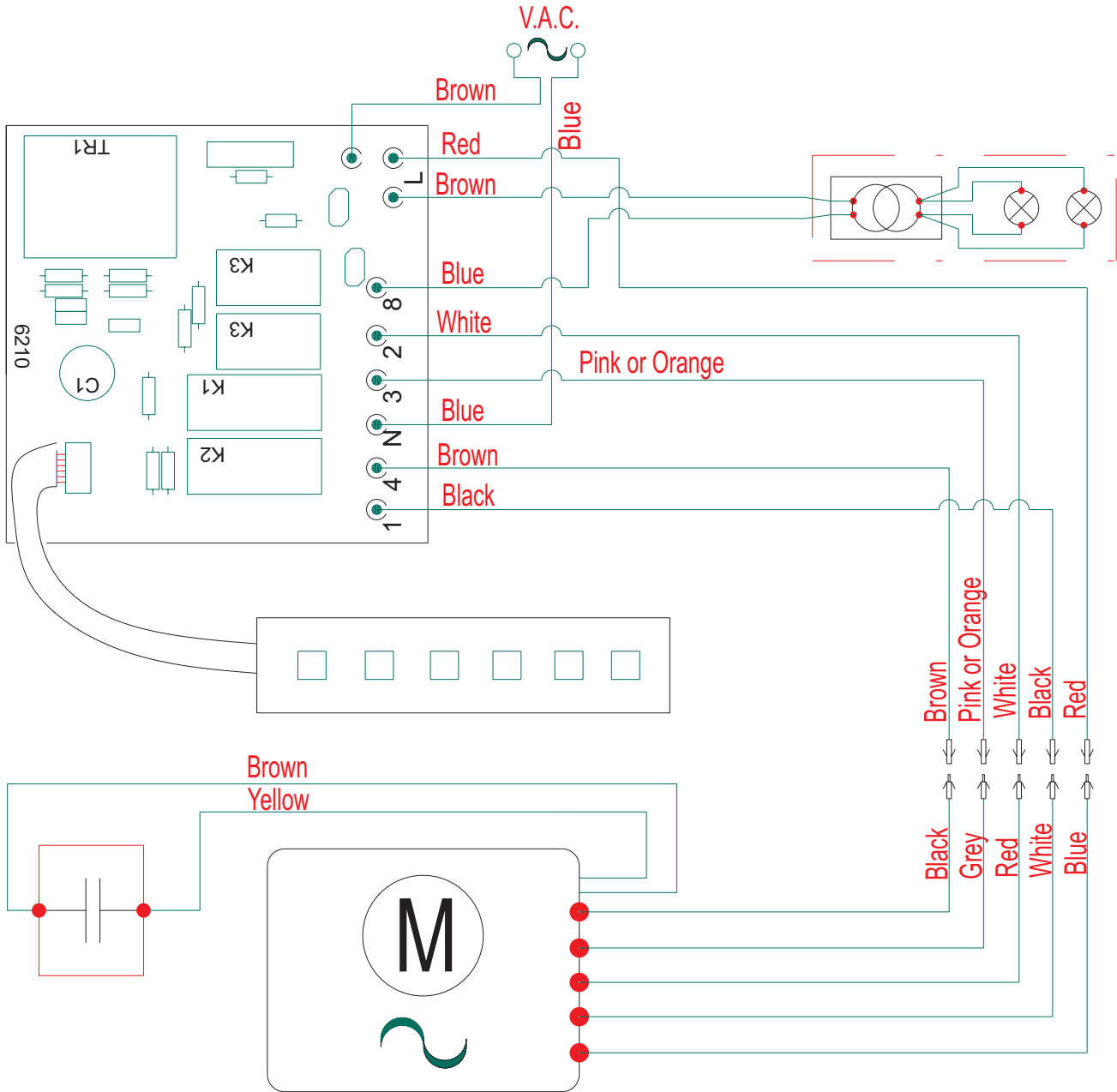


THERMEX

SPAREPART LIST VERTICAL 570

Position	Code	Thermex Code	Description
29	00SP002900V	R520.42.2005.0	ALUMINIUM PANEL
30	SPK2794	R520.42.1701.0	CHIMNEY BLACK
80	SPK0004	R520.42.1600.0	REDUCTION
110	SPK0095	R520.42.5501.0	CONTROL
120A	SPK0081	R520.42.5500.0	CIRCUIT BOARD
120B	SPK1924	R520.42.5507.0	CIRCUIT BOARD
140	SPK0080	R520.42.5506.0	MOTOR GROUP
180	SPK1434	R520.42.1107.0	GLASS 60CM
180	SPK1547	R520.42.1108.0	GLASS 90CM
191	SPK1408	R520.42.1105.0	PANEL-BODY PINS
554	00SP0554000	P515.67.0105.0	TRANSFORMER 105W
609	SPK0931	R520.42.2001.0	HALOGEN LAMP
654	00SP0654000	R520.42.2007.0	CHIMNEY BRACKET
656	00SP0656000	R520.42.1011.0	AIR DEVIATOR
X			No Spareparts



6 POLES MALE CONNECTOR

	WIRE'S COLOR
1	Black (Speed 1)
2	White (Speed 2)
3	Pink (Speed 3)
4	Brown (Speed 4)
5	Red (Neutral)
6	

6 POLES FEMALE CONNECTOR

	WIRE'S COLOR
1	White (Speed 1)
2	Red (Speed 2)
3	Grey (Speed 3)
4	Black (Speed 4)
5	Blue (Neutral)
6	