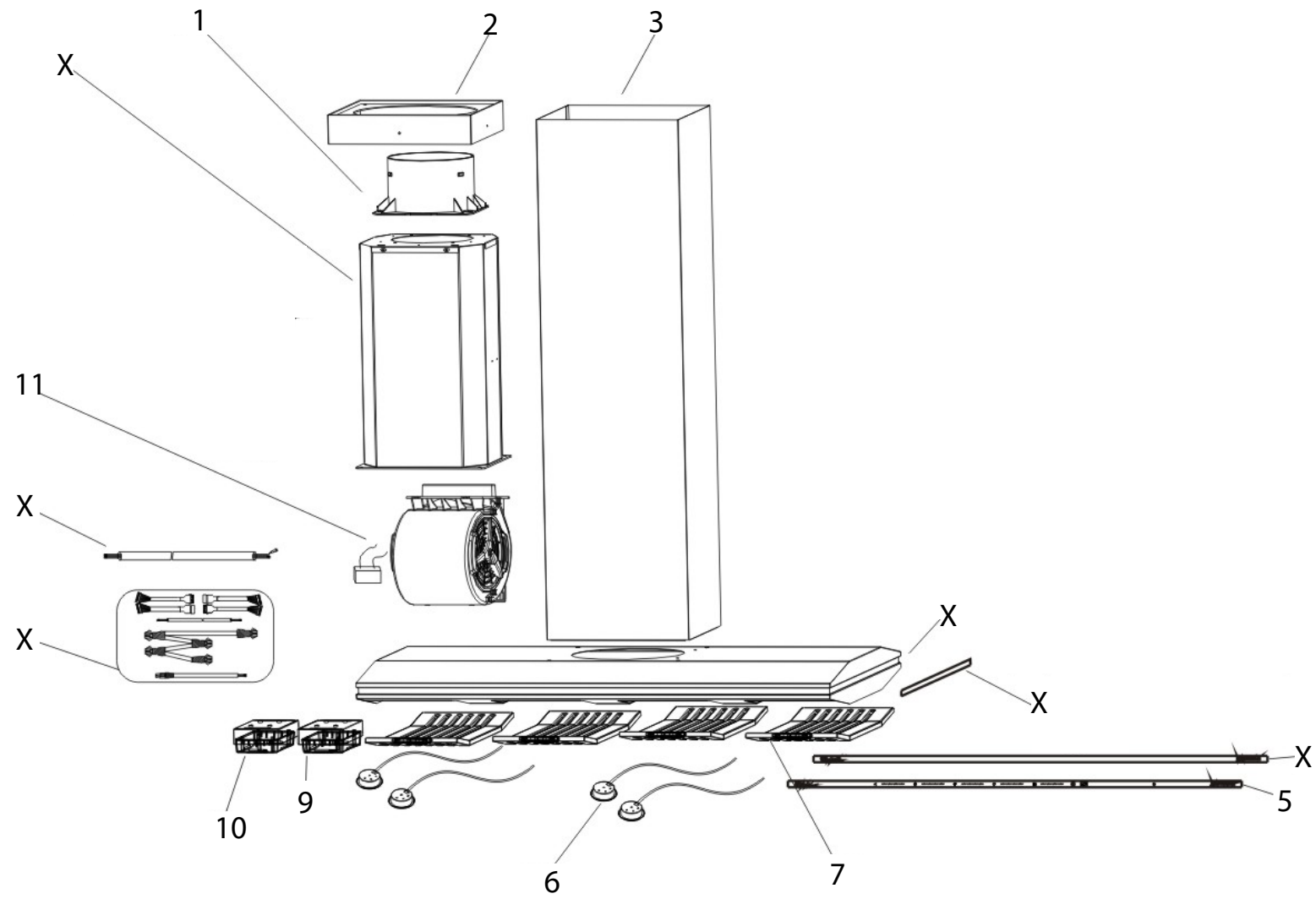


THERMEX

INN-LINE

FH



# THERMEX

## SPAREPART LIST INN-LINE FH

Position	Code	Thermex Code	Description
1		R520.17.2004.0	FLANGE
2		R520.17.2616.0	CHIMNEY BRACKET
3		& \$##) # " * ž±	CHIMNEY
5		R520.17.2619.0	GLASS TOUCH PANEL
6		R520.17.2614.0	HALOGEN LAMP
7		R520.17.2402.0	GREASE FILTER
9		R520.17.2404.0	QF CIRCUIT BORD LIGHT (BLUE)
10		R520.17.2403.0	QF CIRCUIT BORD BUILT-IN MOTOR
10		R520.17.2405.0	QF CIRCUIT BOARD EXTERN MOTOR
11		R520.17.2531.0	MOTOR
X			No Spareparts