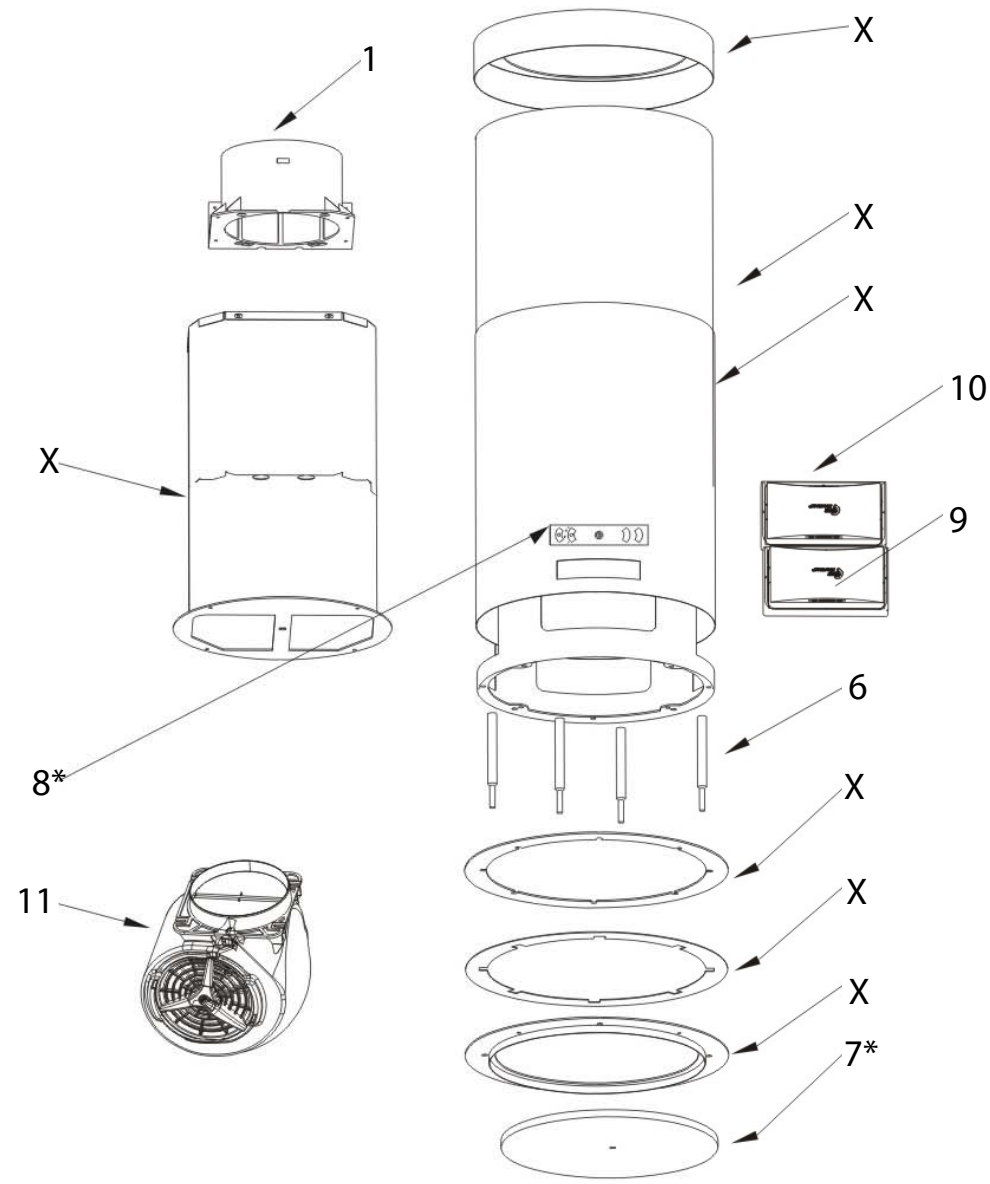


THERMEX

CRYSTALIA-LINE

FH

TOUCHPANEL



THERMEX

SPAREPART LIST CRYSTALIA FH TOUCH

Position	Code	Thermex Code	Description
1		R520.17.2004.0	FLANGE
6		R520.17.2541.0	LED LAMP
7		R520.17.2400.0	GREASE FILTER
*		P920.44.0445.0	FILTER SCREW
8		R520.17.2508.0	TOUCH PANEL
*		R520.17.2515.0	RIBBON CABLE
9		R520.17.2517.0	QF CIRCUIT BORD LIGHT (BLUE)
10		R520.17.2513.0	QF CIRCUIT BORD BUILT-IN MOTOR
10		R520.17.2514.0	QF CIRCUIT BOARD EXTERN MOTOR
11		R520.17.2531.0	MOTOR
X			No Spareparts