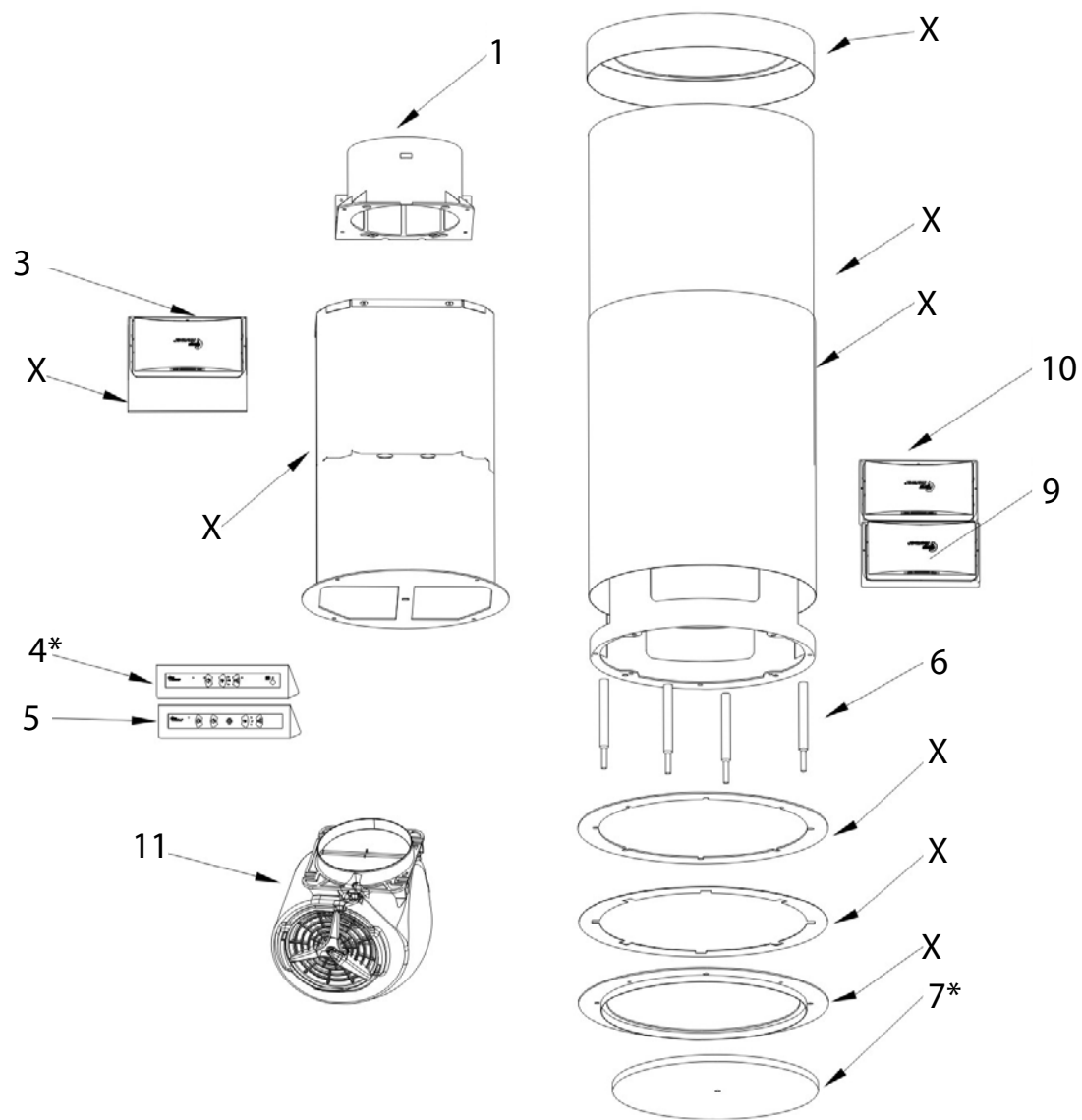


THERMEX

CRYSTALIA-LINE

FH REMOTE CONTROL



# THERMEX

## SPAREPART LIST CRYSTALIA FH REMOTE

Position	Code	Thermex Code	Description
1		R520.17.2004.0	FLANGE
3		R520.17.2621.0	QF CIRCUIT BORD DECORATIVE LIGHT (BLUE)
4		R520.17.2620.0	RECEIVER REMOTE CONTROL
*		R520.17.2520.0	RIBBON CABLE RECIVER 5,0M ( 2 PCS)
5		R520.17.1007.0	REMOTE CONTROL
6		R520.17.2541.0	LED LAMP
7		R520.17.2400.0	GREASE FILTER
*		P920.44.0445.0	FILTER SCREW
9		R520.17.2517.0	QF CIRCUIT BORD LIGHT (BLUE)
10		R520.17.2513.0	QF CIRCUIT BORD BUILT-IN MOTOR
10		R520.17.2514.0	QF CIRCUIT BOARD EXTERN MOTOR
11		R520.17.2531.0	MOTOR
X			No Spareparts