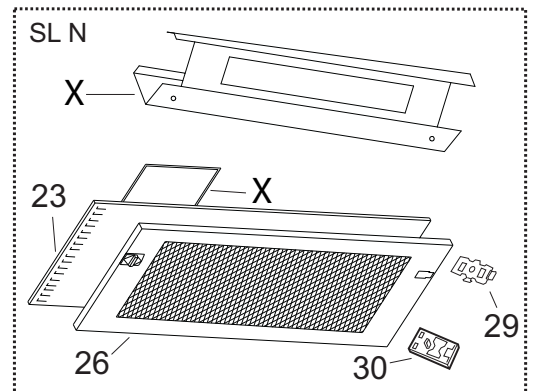
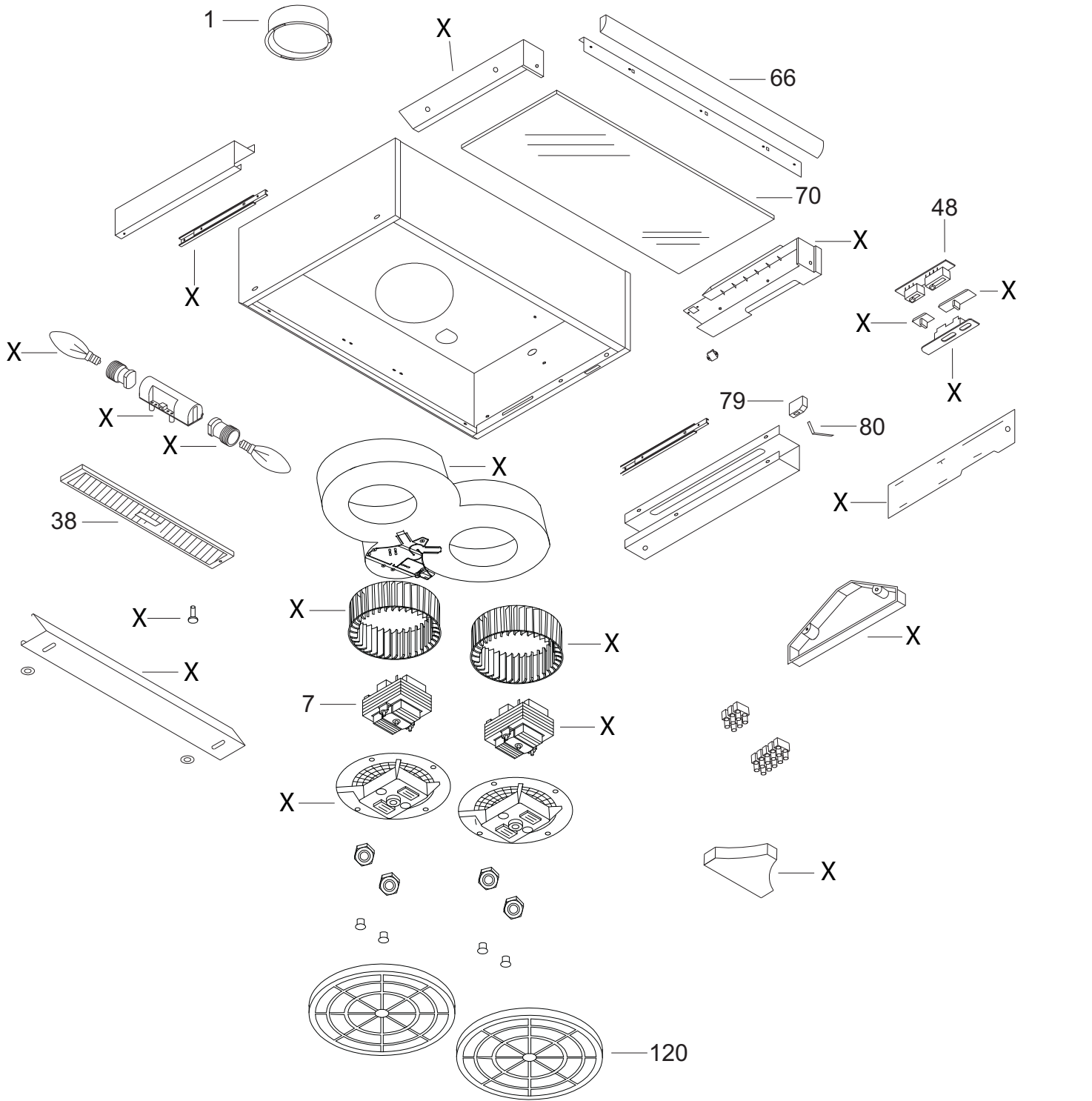


THERMEX

SL-28

520.25.3021.2

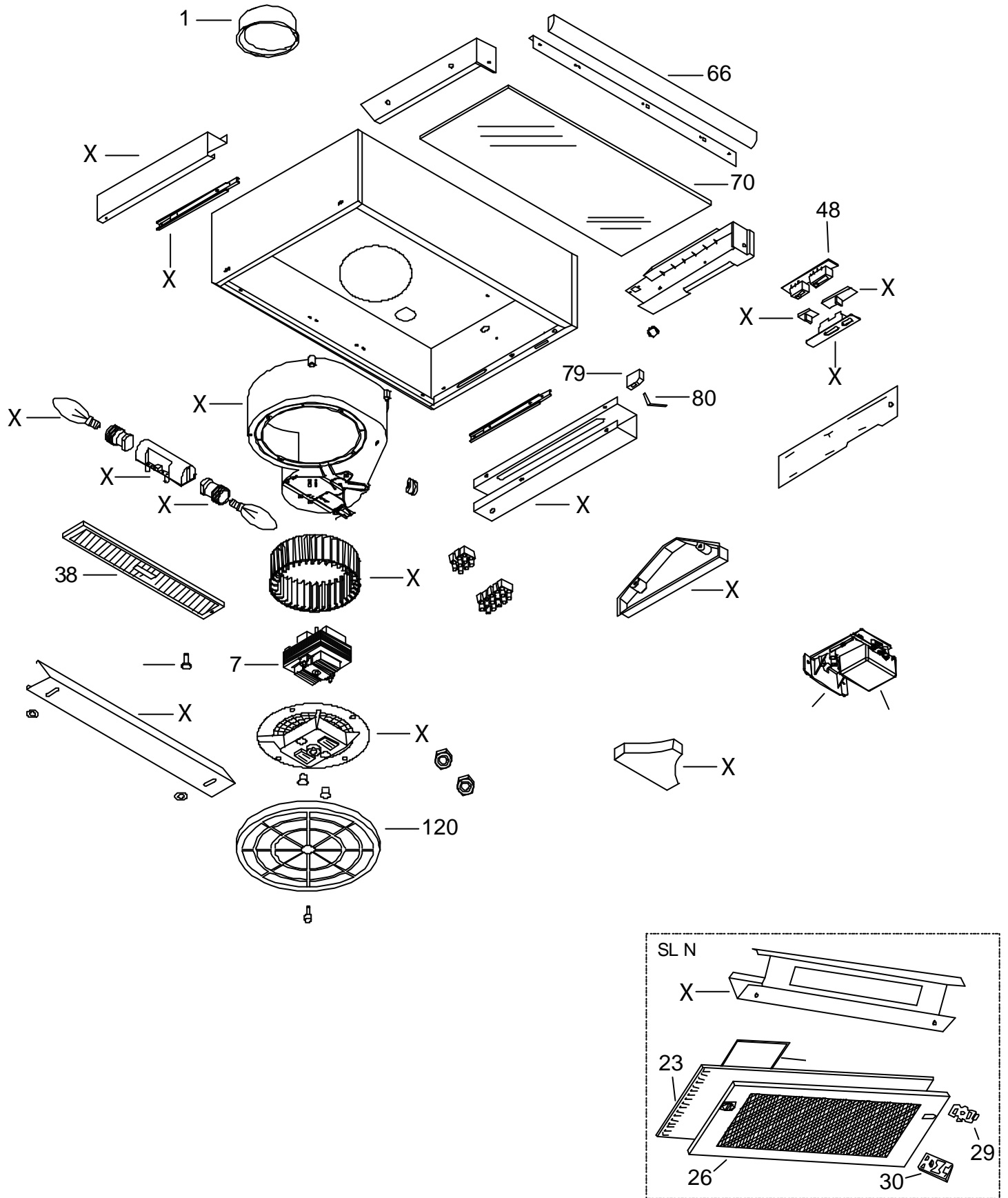


\$1694

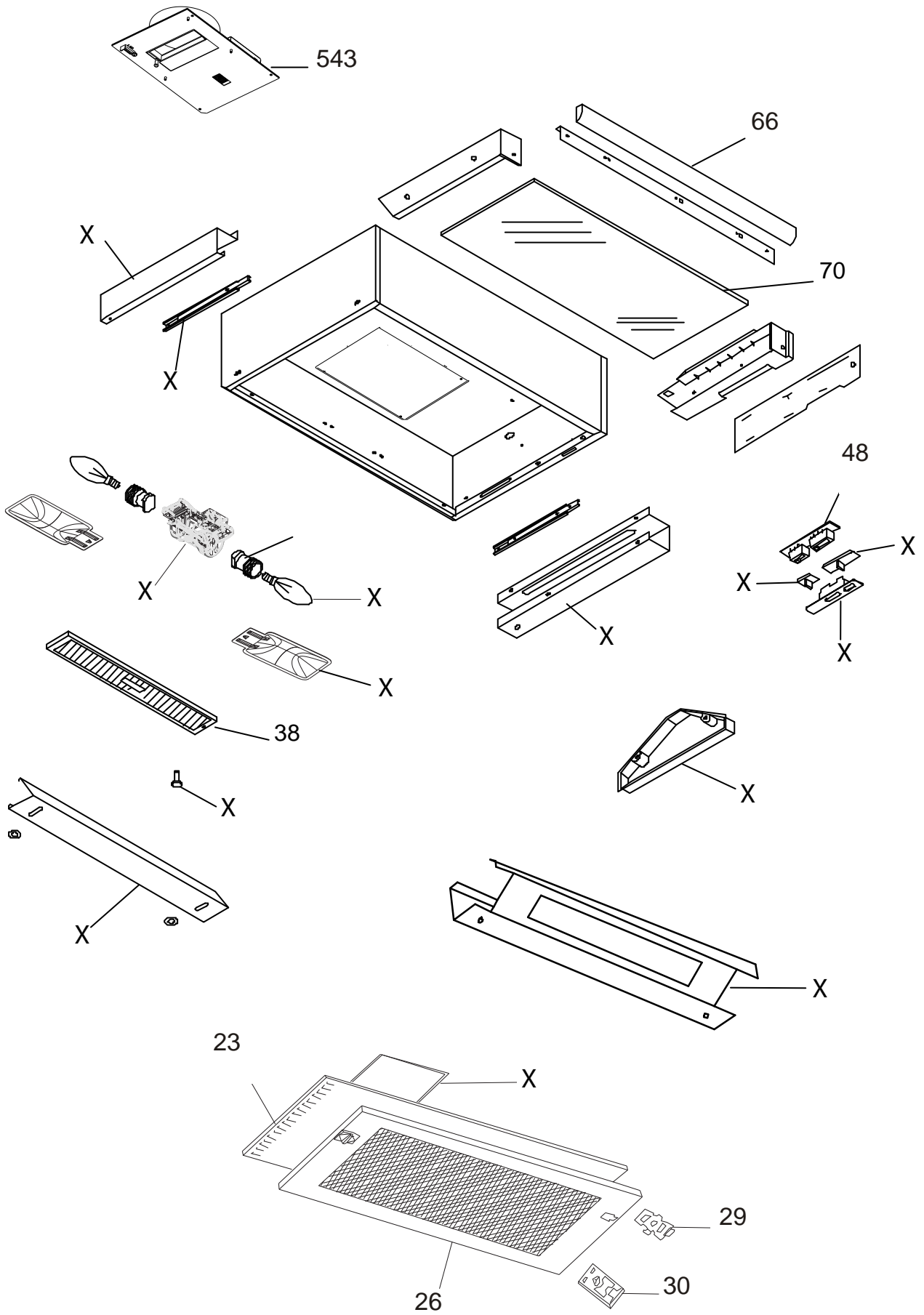
THERMEX

SL-28

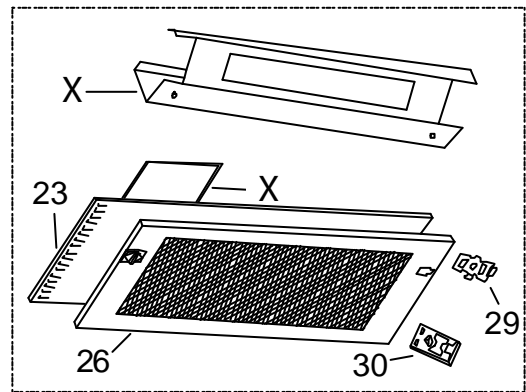
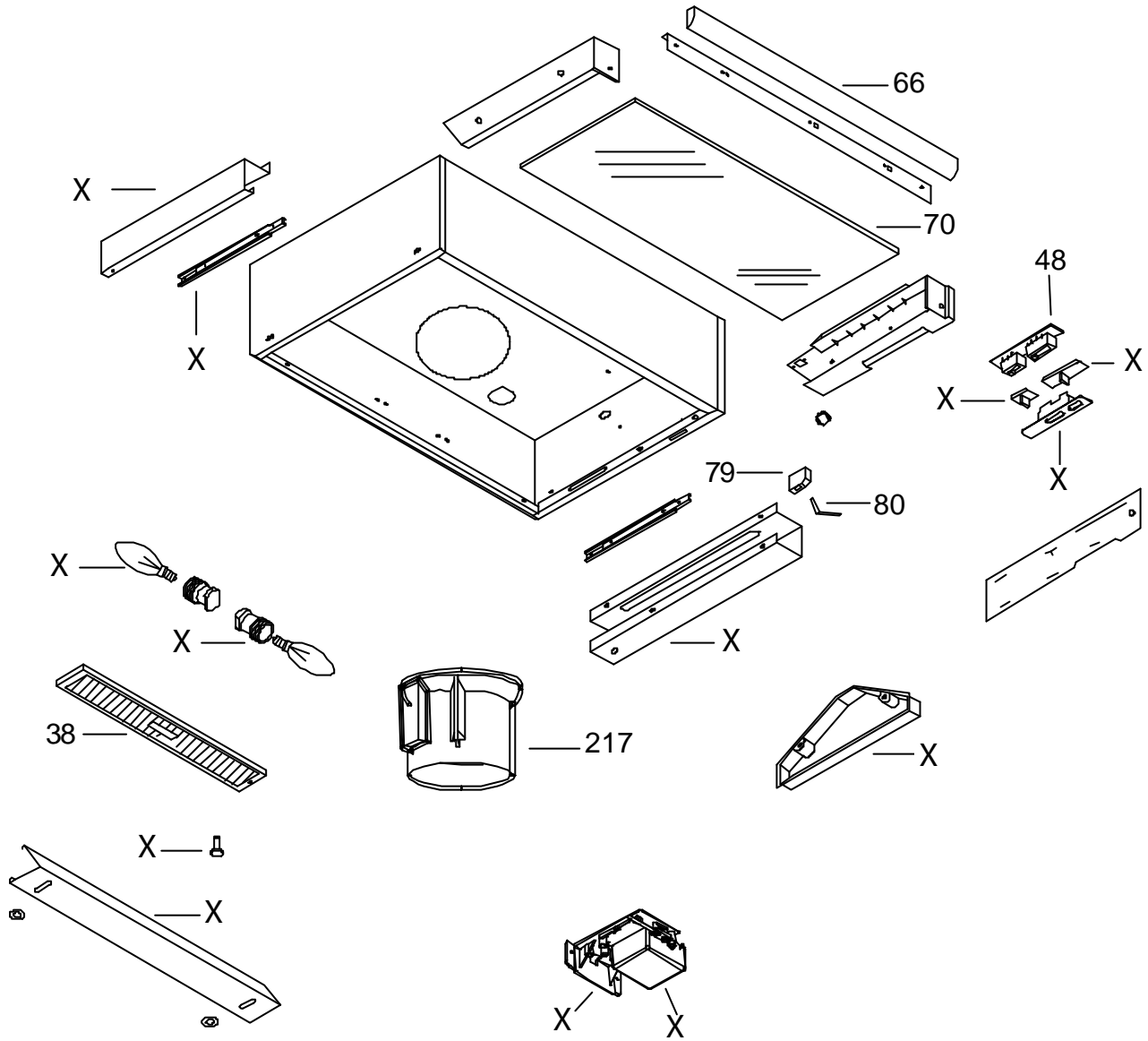
520.25.3001.2



\$1665A



\$2660



\$1696

THERMEX

SPAREPART LIST SL-28

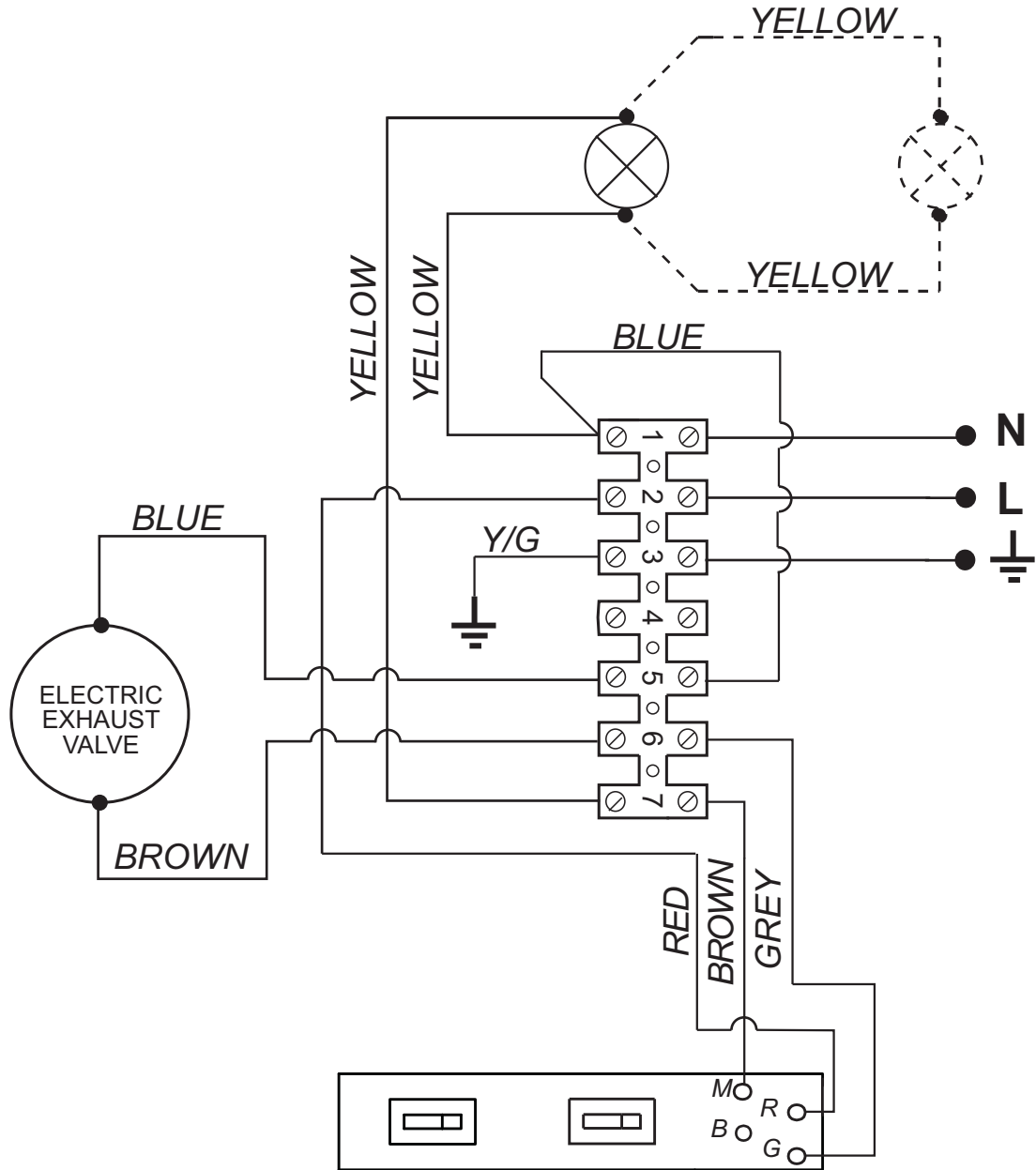
Position	Code	Thermex Code	Description
1	3010BE	R520.25.1003.0	FLANGE
7	E0272	R520.25.3006.0	MOTOR (1-MOTOR)
7	2007CM	R520.25.1004.0	MOTOR (2-MOTOR)
23	F0281	R520.25.1502.0	GREASE FILTER
26	L22047	R520.25.1504.0	GRID
29	3055AJ	R520.25.3001.0	KNOB
30	40700M	R520.25.3000.0	GRID FIXING PLATE
38	3001BM	R520.25.1002.0	LAMP COVER
48	E049/R	R520.25.1505.0	CIRCUIT BOARD (NO MOTOR)
48	E0421	R520.25.1506.0	CIRCUIT BOARD (MOTOR)
66	PB23060	R520.25.1005.0	FRONT LIST
70	V0104	R520.25.1501.0	GLASS
79	EA092	R520.25.1010.0	MICROSWITCH
80	P1002	R520.25.1503.0	MICROSWITCH LEVER
120	KF25	535.25.4000.9	CARBON FILTER 1-MOTOR
217	2JET39	R520.25.1600.0	ELECTRIC VALVE
543	ASS02185	R520.25.1207.0	ELECTRIC VALVE
X			No Spareparts

THERMEX

SL-28

U-MOTOR / CENTRAL-LINE

SE1XDA



DATA DATE	MODIF. N. MODIF. NO.	DESCRIZIONE MODIFICA MODIFICATION DESCRIPTION	DISegnATO DRAWN BY	APPROVATO APPROVED
MODELLO MODEL SL N VEM	PARTICOLARE DETAIL <i>Schema elettrico</i>	DISegno N. DRAWING No. SE1XDA	DATA DATE 06/11/08	
MATERIALE MATERIAL <i>Carta bianca adesiva 55x55</i>	COLORE STAMPA PRINT COLOUR NERO / black	DISegnATO DRAWN BY <i>Antonelli G.</i>	APPROVATO APPROVED <i>MENICONI</i>	
SL-28 U/MOTOR	SCALA SCALE mm	SOSTITUITO DAL DIS. N. REPLACED BY DRAWING NO.	ULTIMA EMISS. LAST EDITION 06/11/08	
FORM. A - 4	THERMEX	SOSTITUISCE IL DIS. N. IT REPLACES DRAWING NO.		