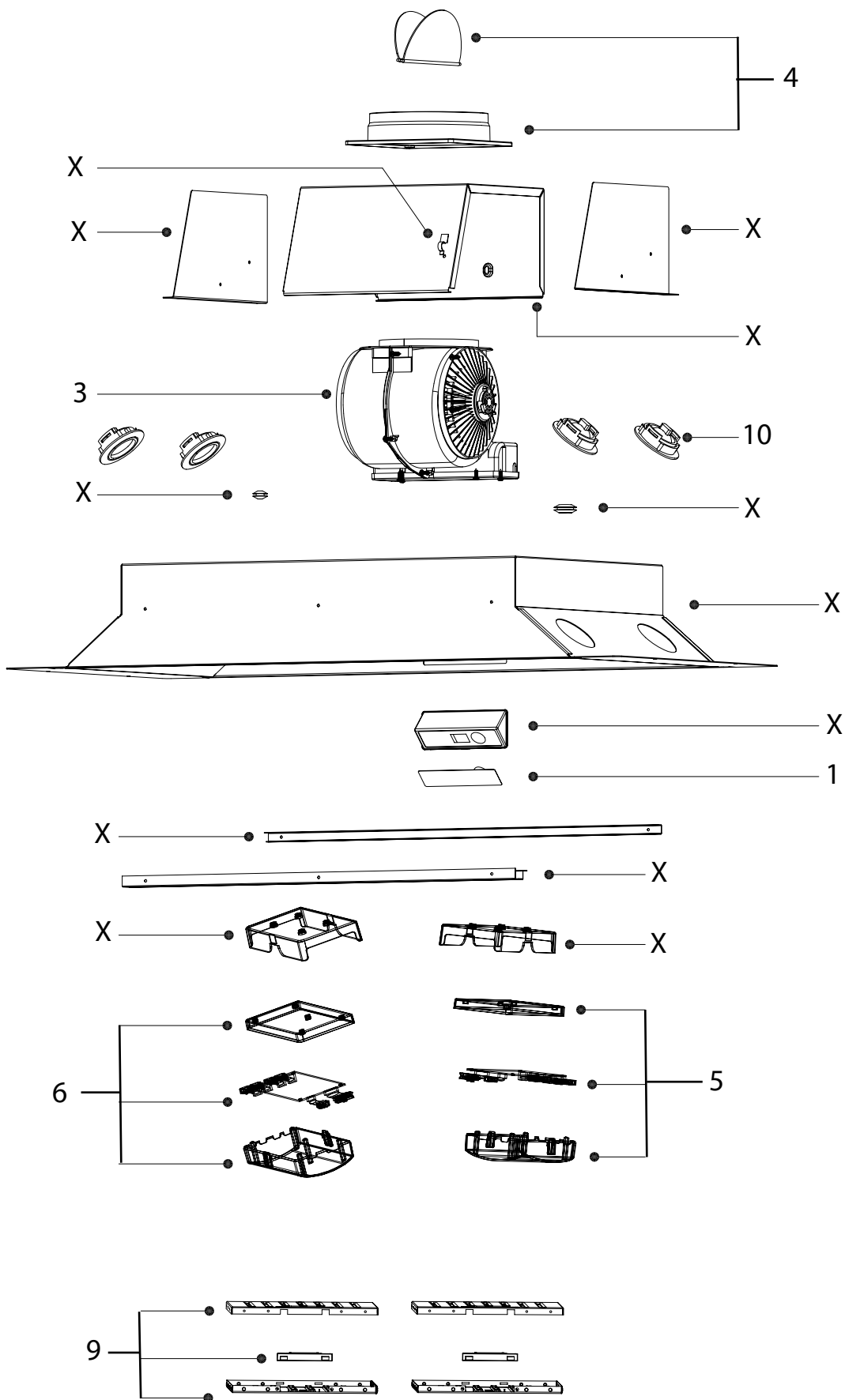


THERMEX

TFMH 390

QF

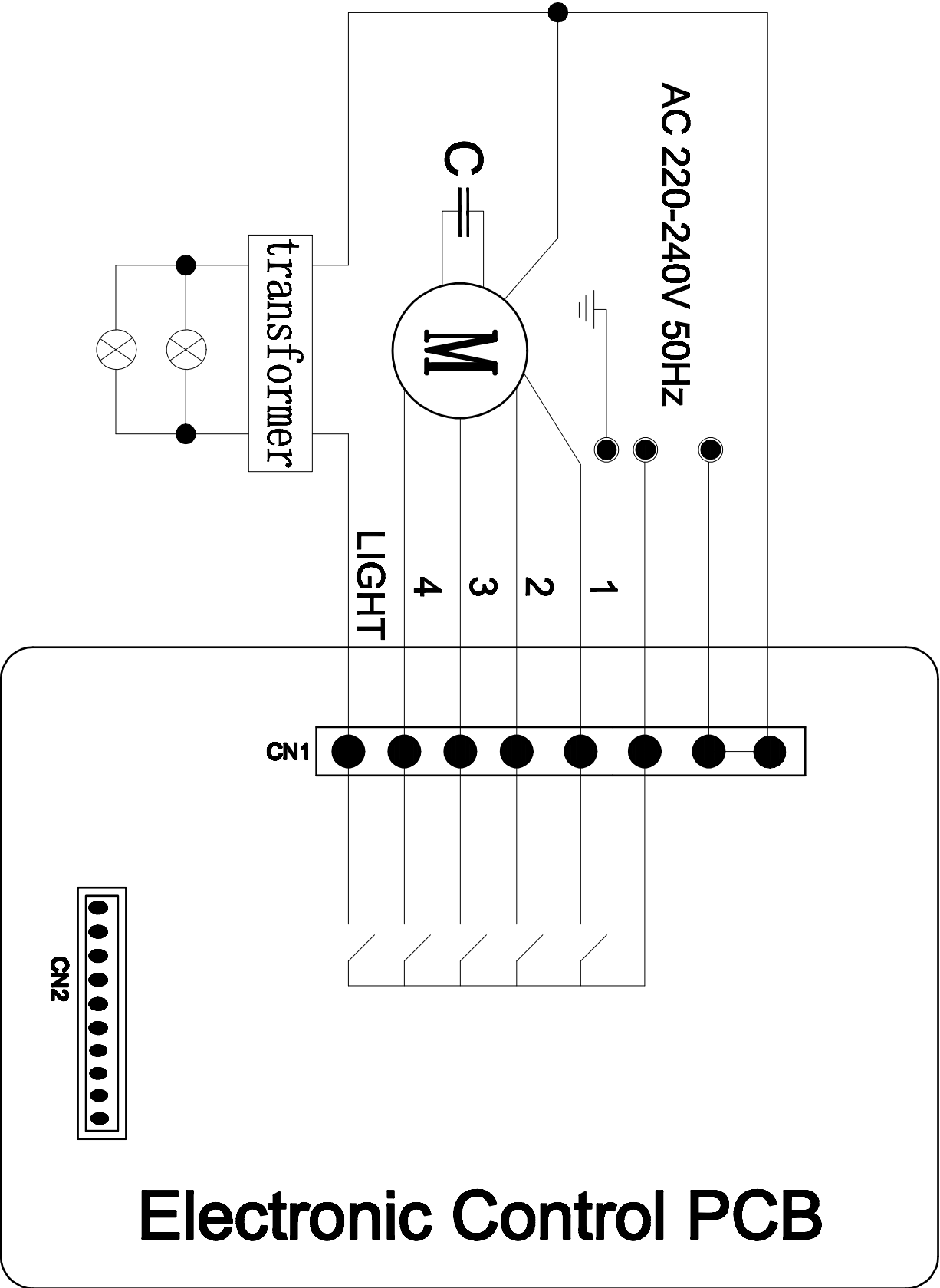


# THERMEX

## SPAREPART LIST TFMH 360-390 QF

<b>Position</b>	<b>Code</b>	<b>Thermex Code</b>	<b>Description</b>
1		R520.21.7000.0	TOUCH PANEL
2		R520.21.7001.0	HALOGEN LAMP 360-380
3		R520.21.7005.0	MOTOR
4		R520.21.7010.0	COMPLETE OUTLET
5		R520.21.9500.0	CIRCUIT BORD MOTOR QF (BLACK)
6		R520.21.9501.0	CIRCUIT BORD LIGHT QF (BLUE)
7		R520.21.9502.0	CIRCUIT BORD MOTOR QF (BLACK)
8		R520.21.7015.0	BAFFLE FILTER INCL WIRE 360
9		R520.21.7016.0	BAFFLE FILTER INCL WIRE 380-390
10		R520.21.1700.0	HALOGEN LAMP 390
*		R520.21.7008.0	BAND CABLE
*		R520.21.7011.0	BAND CABLE 8,0 METER
X			No Spareparts

HC116



# Electronic Control PCB