

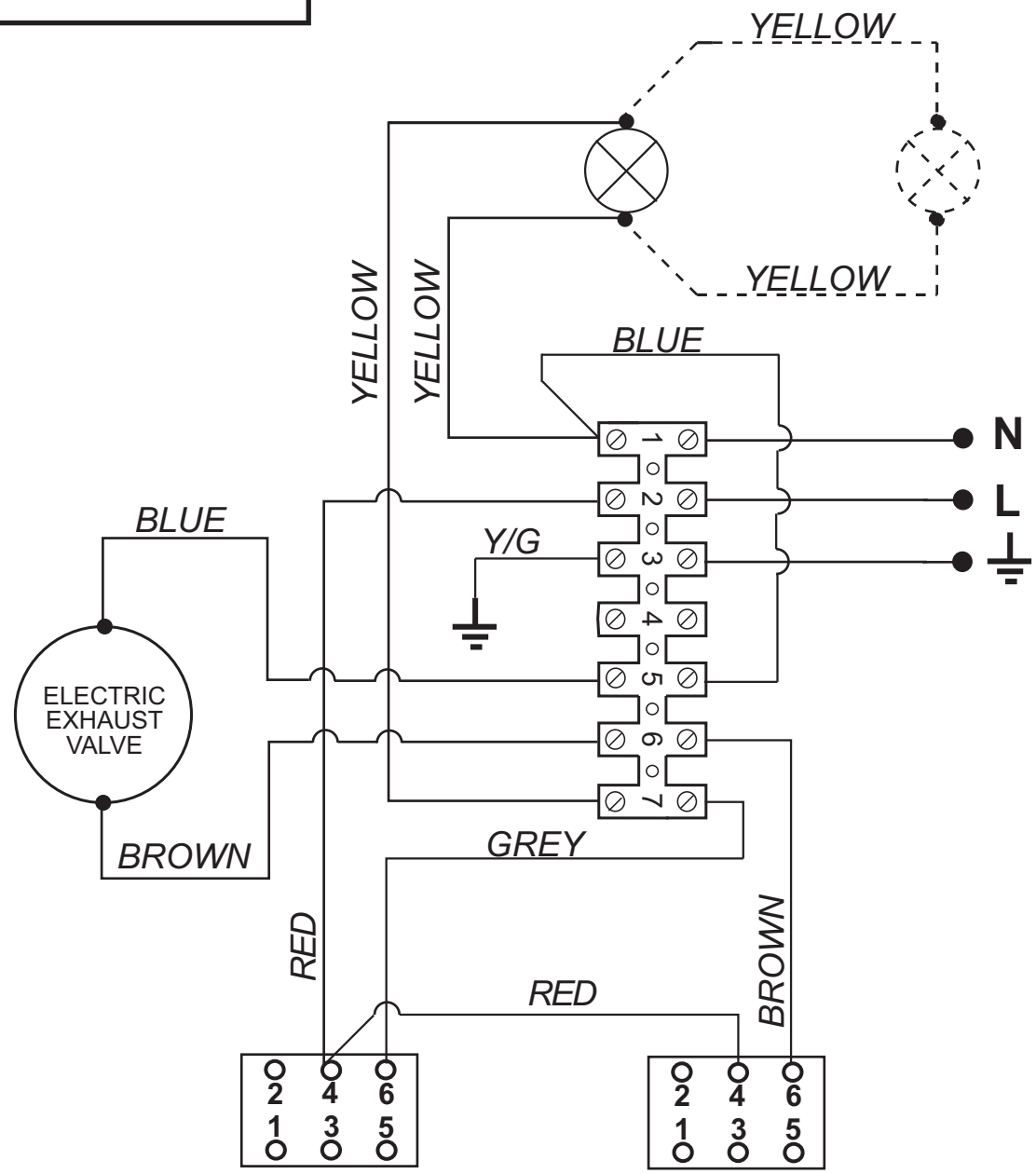
\$2661

# THERMEX

## SPAREPART LIST TURBO K 702 CENTRAL

<b>Position</b>	<b>Code</b>	<b>Thermex Code</b>	<b>Description</b>
23	10801304350	R520.38.3116.0	GREASE FILTER
26	231301600WO	R520.38.3115.0	GRID 60CM WHITE
30	40700L	R520.25.3100.0	GRID FIXING PLATE
38	PF025A	R520.38.3001.0	LAMP COVER
41	CU1ZLA	R520.20.1053.0	FRONT PANEL
46	2011G	R520.20.1050.0	LIGHT SWITCH
70	10701194010	R520.38.3103.0	GLASS 60CM
149	MG02HA	R520.38.3101.0	GRID FIXING HANDLE
173	MD033C/MD034C	R520.38.3105.0	K-REST
410	ST07VA	R520.20.1054.0	CIRCUIT BOARD
503	10201656400	R520.38.3002.0	LATERAL RIGHT
504	10201656410	R520.38.3003.0	LATERAL LEFT
543	ASS02185	R520.20.2185.0	ELECTRIC VALVE
X			No Spareparts

# SE1W8A



DATA DATE	MODIF. N. MODIF. NO.	DESCRIZIONE MODIFICA MODIFICATION DESCRIPTION	DISEGNATO DRAWN BY	APPROVATO APPROVED
MODELLO MODEL <b>FS 302 VEM</b>	PARTICOLARE DETAIL <b>Schema elettrico</b>	DISEGNO N. DRAWING No. <b>SE1W8A</b>	DATA DATE <b>27/10/08</b>	
MATERIALE MATERIAL <b>Carta bianca adesiva 55x55</b>	COLORE STAMPA PRINT COLOUR <b>NERO / black</b>	DISEGNATO DRAWN BY <b>Antonelli G.</b>	APPROVATO APPROVED <b>MENICONI</b>	
<b>K 702</b>	SCALA SCALE mm	SOSTITUITO DAL DIS. N. REPLACED BY DRAWING NO.	ULTIMA EMISS. LAST EDITION	
<b>CENTRAL-LINE</b>	FORM. A - 4	<b>THERMEX</b>	SOSTITUISCE IL DIS. N. IT REPLACES DRAWING NO.	