

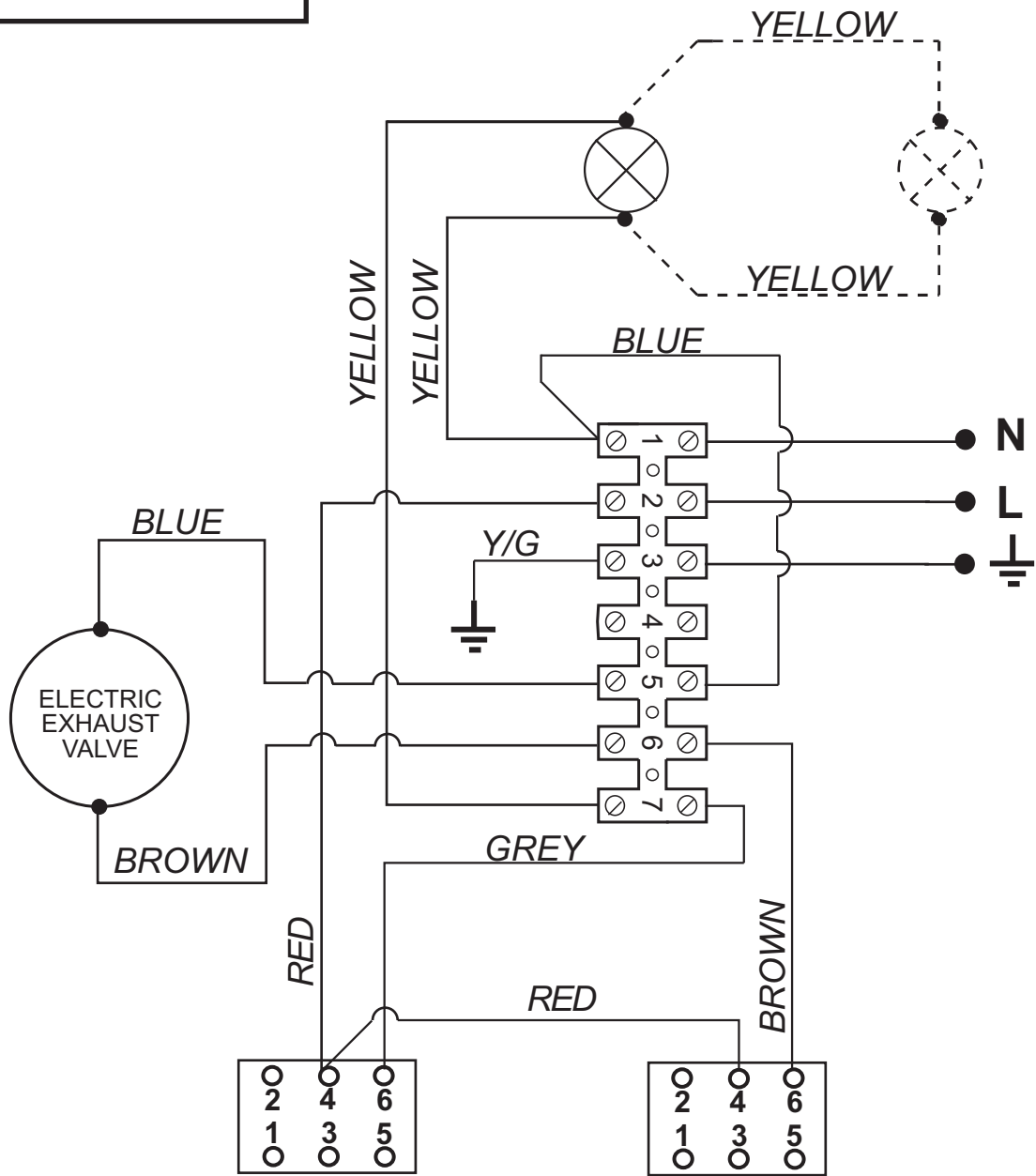
\$2664

THERMEX

SPAREPART LIST FS 302 CENTRAL

| Position | Code | Thermex Code | Description |
|-----------------|--------------|---------------------|---------------------|
| 23 | F0247 | R520.25.3005.0 | GREASE FILTER |
| 26 | D44/L17 | R520.25.3002.0 | GRID |
| 29 | P0442/3055AJ | R520.25.3013.0 | KNOB |
| 30 | 40700M | R520.25.3000.0 | GRID FIXING PLATE |
| 38 | PF01CA | R520.25.3017.0 | LAMP COVER (ROUND) |
| 41 | CU1ZRA | R520.20.1051.0 | FRONT PANEL |
| 46 | 2011G | R520.20.1050.0 | LIGHT SWITCH |
| 70 | V305 | R520.25.3003.0 | FRONT GLASS |
| 410 | ST061A | R520.20.1052.0 | COMMAND BOX |
| 503 | 3028GP | R520.25.3009.0 | GLASS VISOR (RIGHT) |
| 504 | 3028GQ | R520.25.3008.0 | GLASS VISOR (LEFT) |
| 543 | ASS02185 | R520.20.2185.0 | ELECTRIC VALVE |
| X | | | No Spareparts |

SE1W8A



| | | | | |
|---|---|---|---|-------------------------------|
| DATA DATE | MODIF. N. MODIF. NO. | DESCRIZIONE MODIFICA MODIFICATION DESCRIPTION | DISEGNATO DRAWN BY | APPROVATO APPROVED |
| MODELLO MODEL FS 302 VEM | PARTICOLARE DETAIL Schema elettrico | DISEGNO N. DRAWING No. SE1W8A | DATA DATE 27/10/08 | |
| MATERIALE MATERIAL Carta bianca adesiva 55x55 | COLORE STAMPA PRINT COLOUR NERO / black | DISEGNATO DRAWN BY Antonelli G. | APPROVATO APPROVED MENICONI | ULTIMA EMISS. LAST EDITION |
| FS 302 | SCALA SCALE mm | SOSTITUITO DAL DIS. N. REPLACED BY DRAWING NO. | SOSTITUISCE IL DIS. N. IT REPLACES DRAWING NO. | |
| CENTRAL-LINE | FORM. A - 4 | THERMEX | | |